

Proposed
Project For:

2901 BOUCHERIE RD
WEST KELOWNA, BC

LOT 1
PLAN KAP72327

Sheet Title:

RENDERINGS

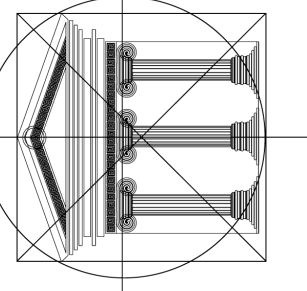
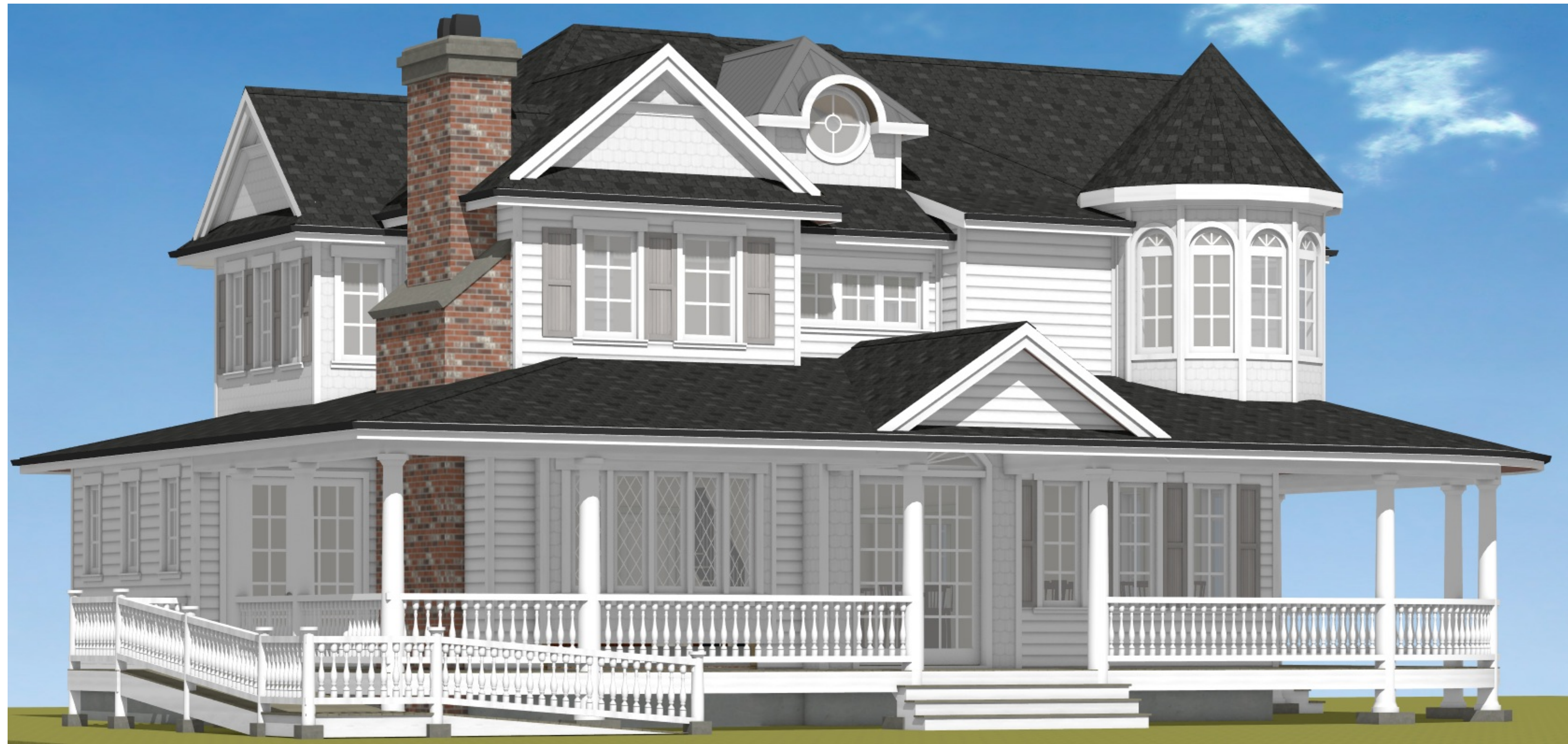
DATE:

2022-12-21

SCALE: 1/4" = 1'-0"
(UNLESS OTHERWISE NOTED)

SHEET NO.:

1/6



**Proposed
Project For:**

2901 BOUCHERIE RD
WEST KELOWNA, BC

LOT 1
PLAN KAP72327

Sheet Title:

RENDERINGS

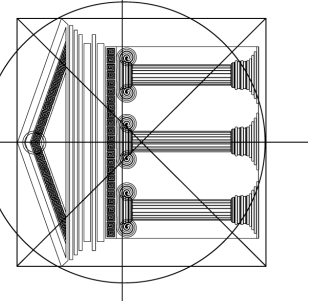
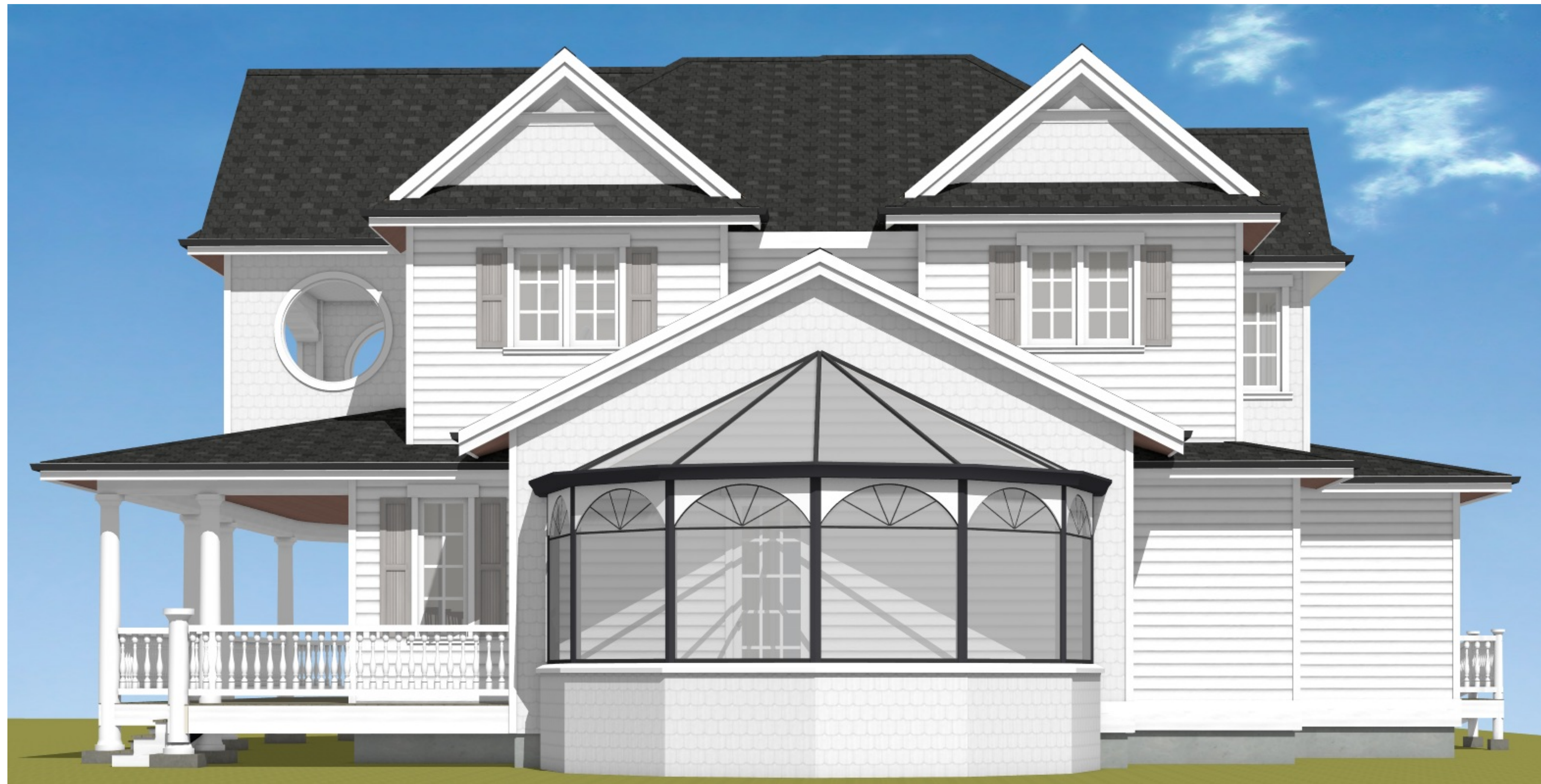
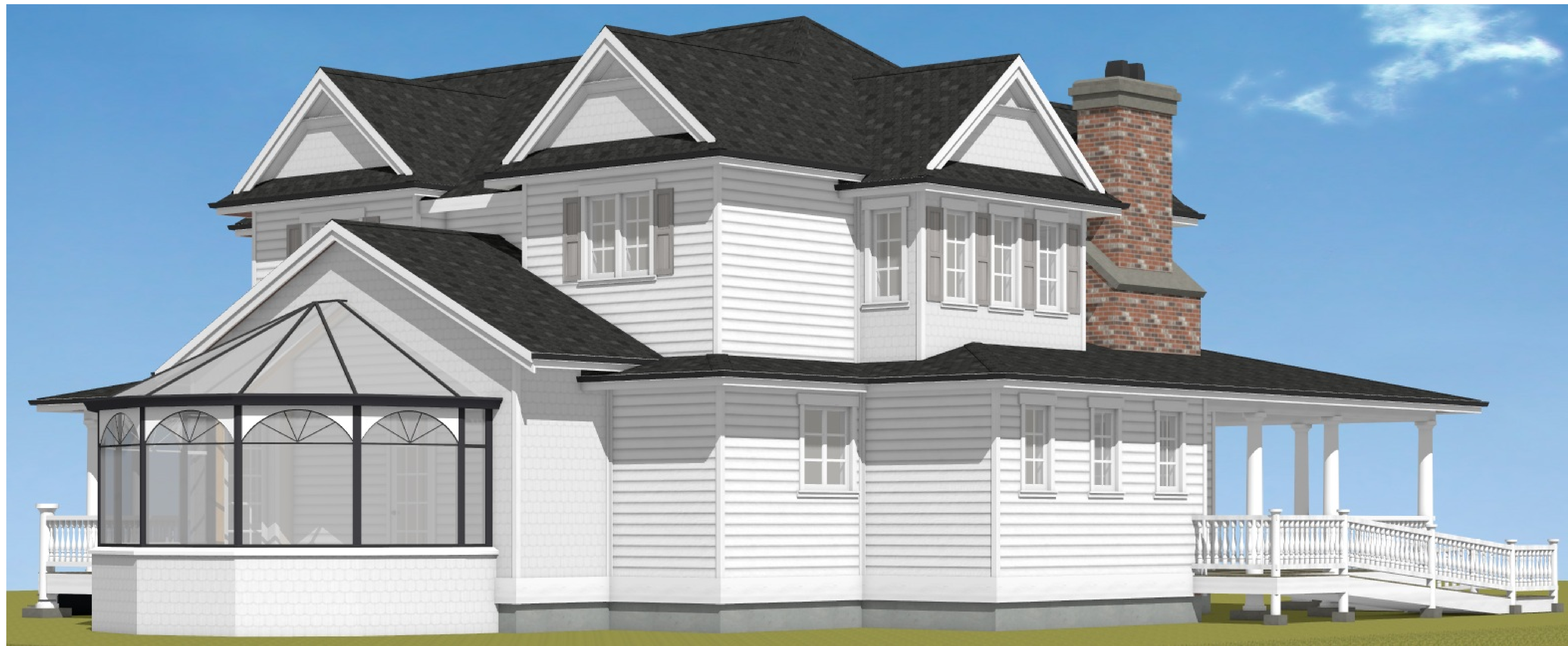
DATE:

2022-12-21

SCALE: 1/4" = 1'-0"
(UNLESS OTHERWISE NOTED)

SHEET NO.:

2/6



**Proposed
 Project For:**

2901 BOUCHERIE RD
 WEST KELOWNA, BC

LOT 1
 PLAN KAP72327

Sheet Title:

RENDERINGS

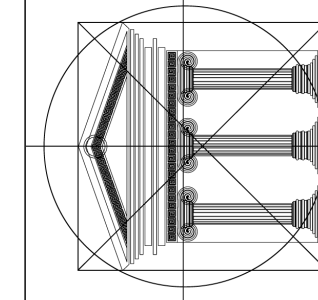
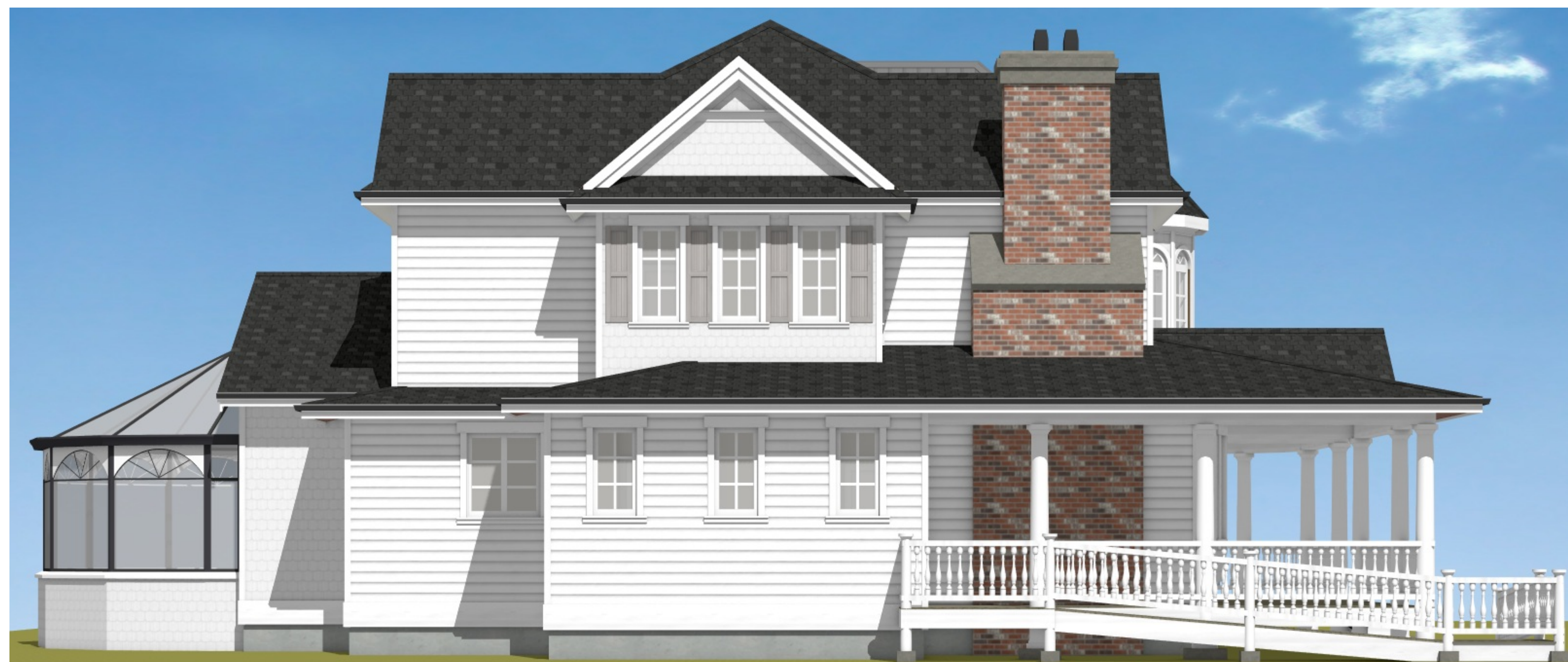
DATE:

2022-12-21

SCALE: 1/4" = 1'-0"
 (UNLESS OTHERWISE NOTED)

SHEET NO.:

3/6



Proposed
Project For:

2901 BOUCHERIE RD
WEST KELOWNA, BC

LOT 1
PLAN KAP72327

Sheet Title:

RENDERINGS

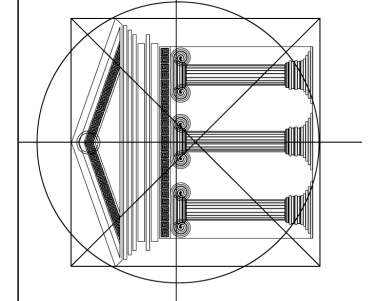
DATE:

2022-12-21

SCALE: 1/4" = 1'-0"
(UNLESS OTHERWISE NOTED)

SHEET NO.:

4/6



Proposed Project For:

2901 BOUCHERIE RD
 WEST KELOWNA, BC
 LOT 1
 PLAN KAP72327

Sheet Title:

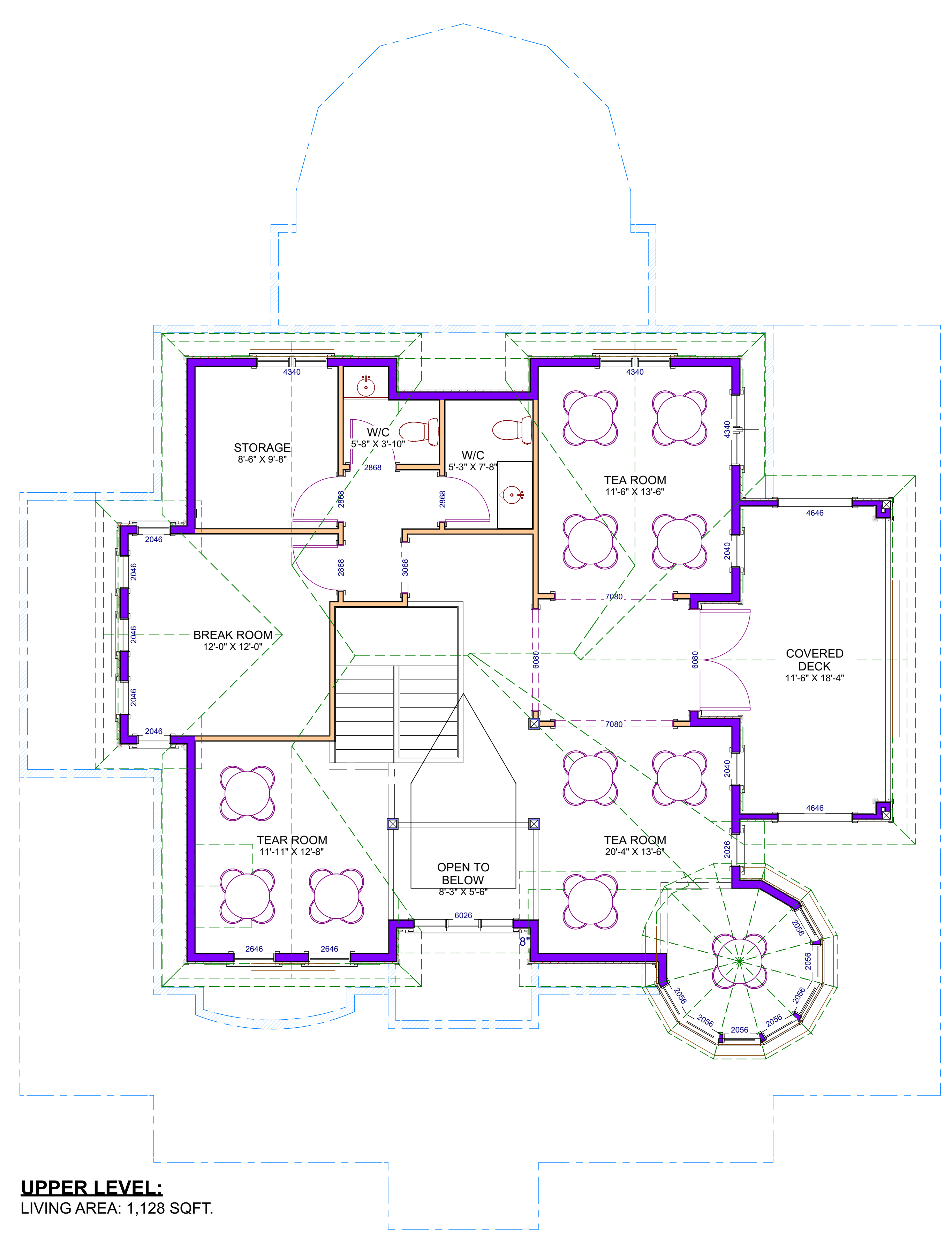
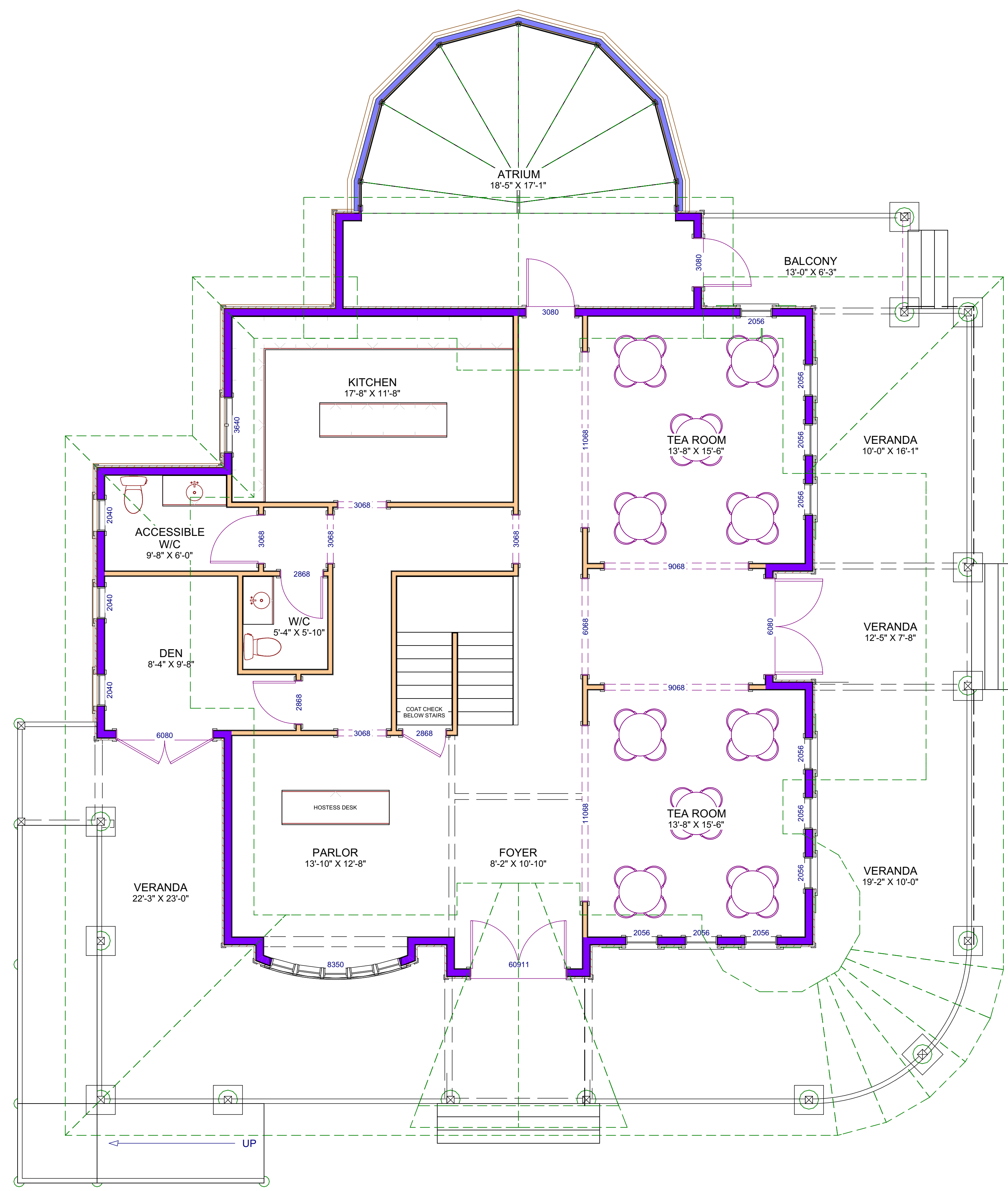
FLOOR PLANS

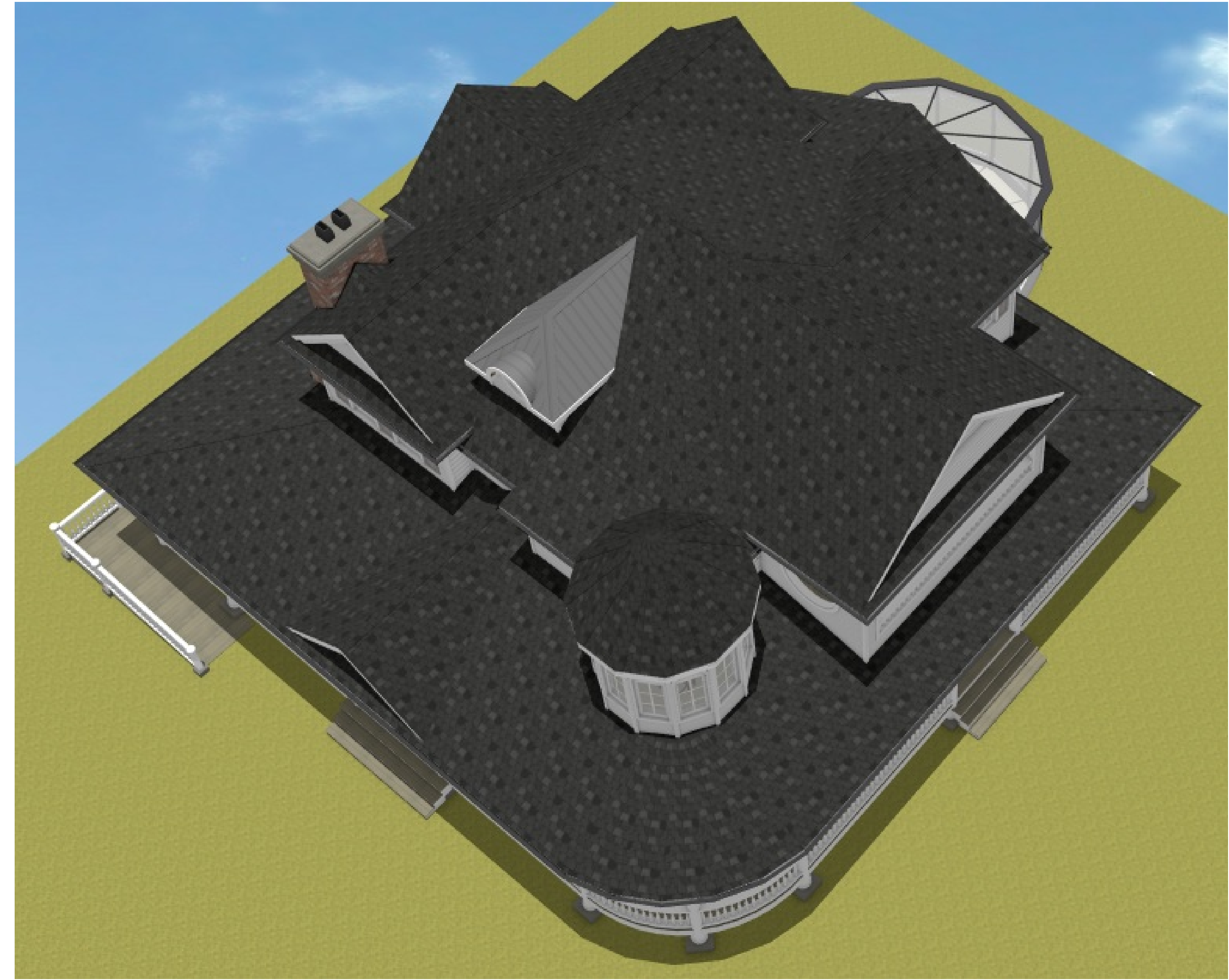
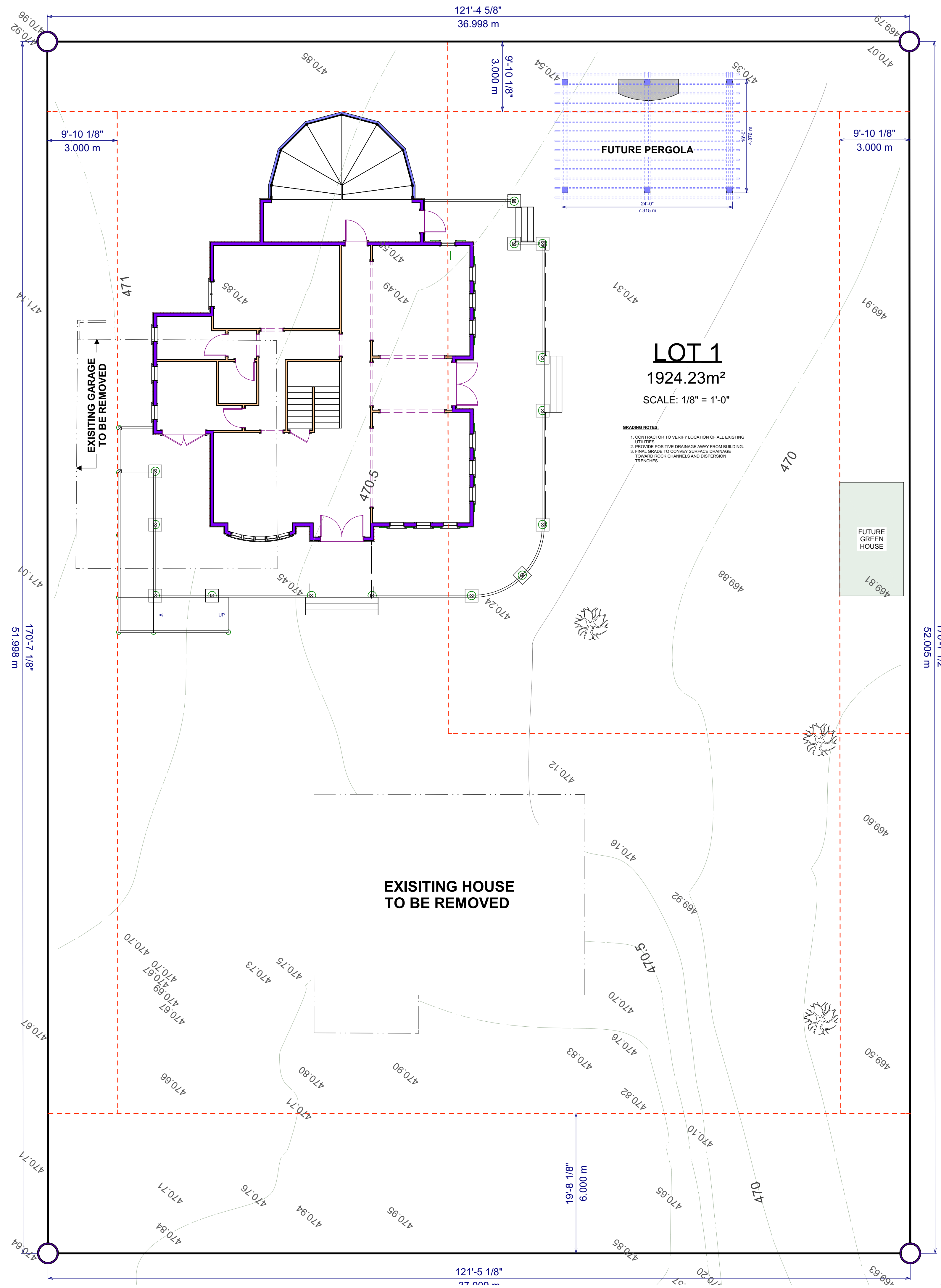
DATE:
 2022-12-21

SCALE: 1/4" = 1'-0"
 (UNLESS OTHERWISE NOTED)

SHEET NO.:

5/6





Proposed Project For:

2901 BOUCHERIE RD
WEST KELOWNA, BC

LOT 1
PLAN KAP72327

Sheet Title:

SITE PLAN

DATE:

2022-12-21

SCALE: 1/4" = 1'-0"
(UNLESS OTHERWISE NOTED)

SHEET NO.:

6/9