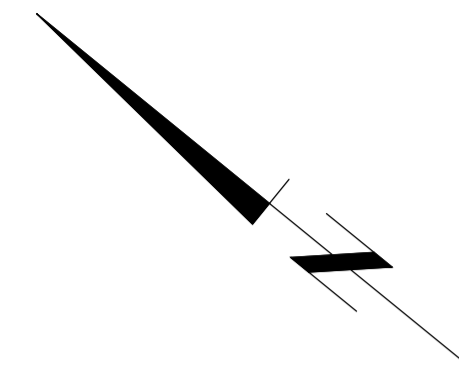




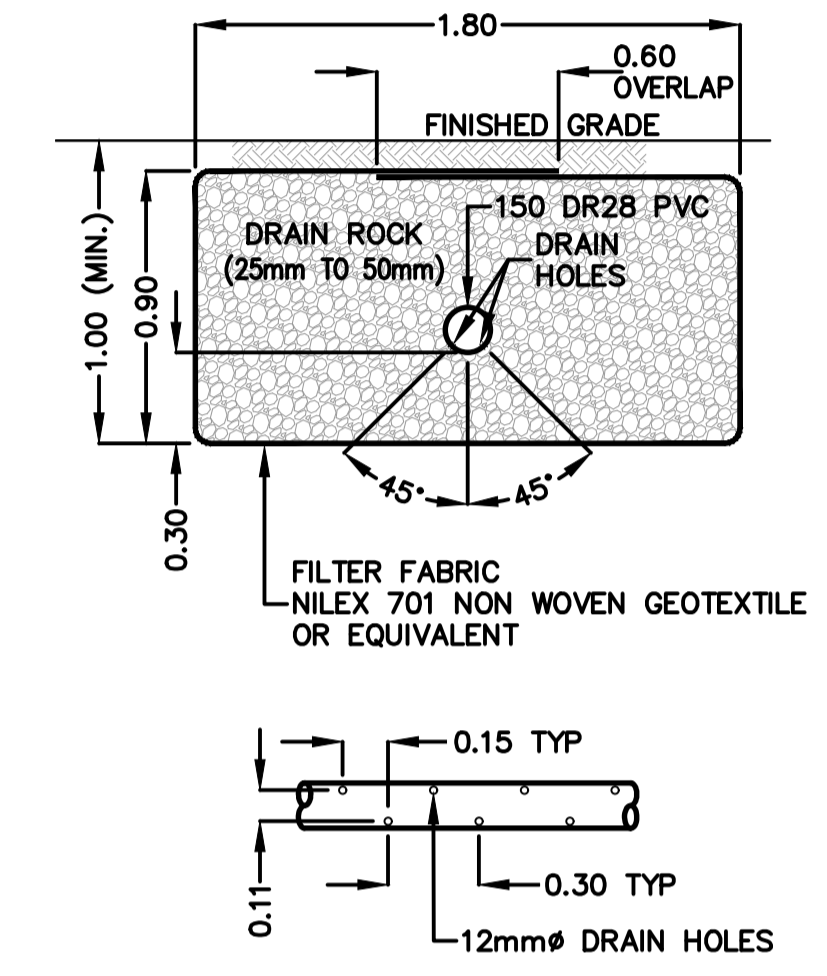
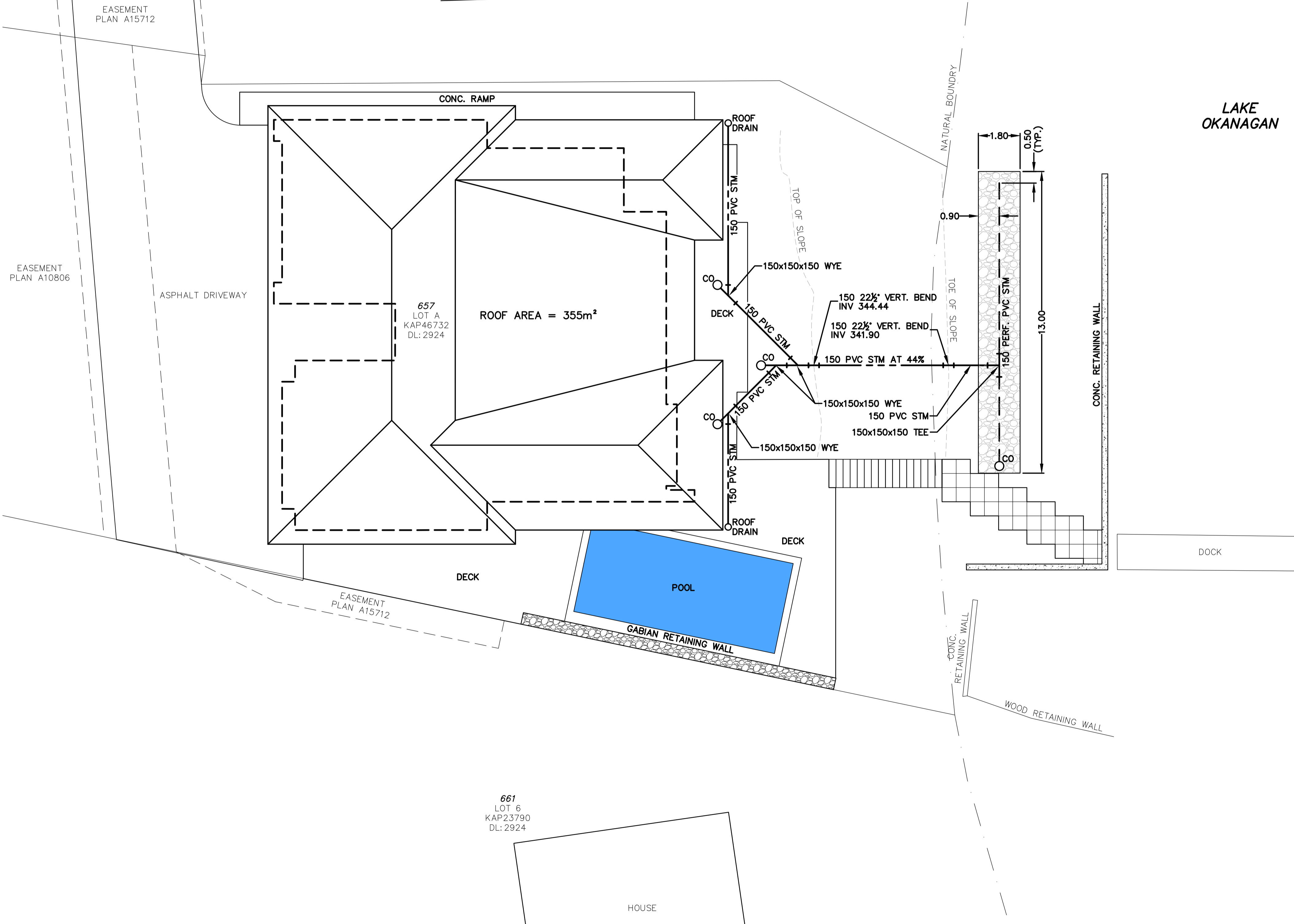
653
LOT B
KAP46732
DL: 2924

HOUSE



GENERAL NOTES:

1. ALL WORK TO BE CONSTRUCTED IN ACCORDANCE WITH MMCD PLATINUM EDITION VOLUME II AND BC BUILDING CODES 2018.
2. CONTRACTOR TO MAKE BC ONE CALL PRIOR TO CONSTRUCTION. (1-800-474-8886)
3. CONTRACTOR TO INSTALL STORM PIPE AT A MINIMUM COVER OF 914mm.
4. STORM PIPE TO BE 150mm DR28 PVC.



PERFORATED PIPE AND DRAIN ROCK TRENCH
SCALE 1:25

\\fs2012\Projects\Projects-2020\20092 - 657 Westside Road\CAD\SKETCHES\20092 - SK-01.dwg October 1, 2020 Roland Ruesgen

657 WESTSIDE ROAD
ROOF DRAIN AND ROCK PIT DESIGN
PROJECT No. 20092
DRAWING No. SK-01
SCALE 1:100
October 1, 2020

